

Code : P1001

PC cover with big lens



Code : P1002

PC cover with small lens



 SMD2835

  SMD5050



Ultrasonic Melting



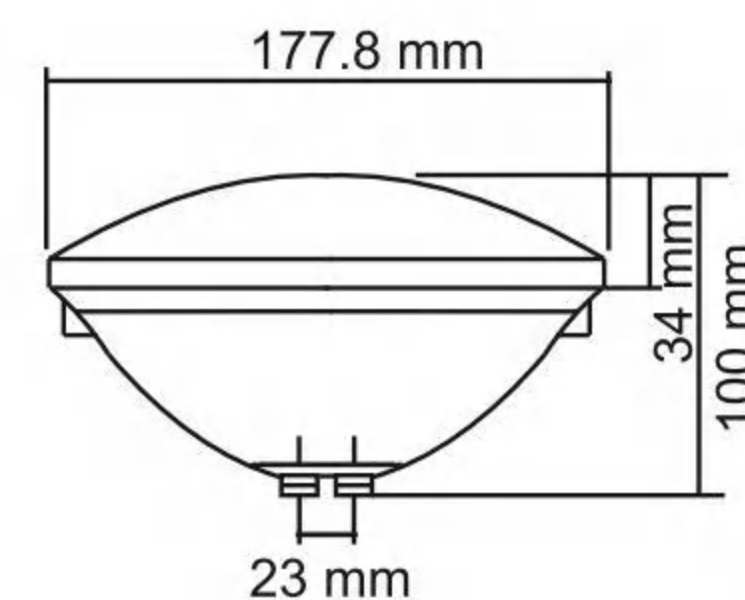
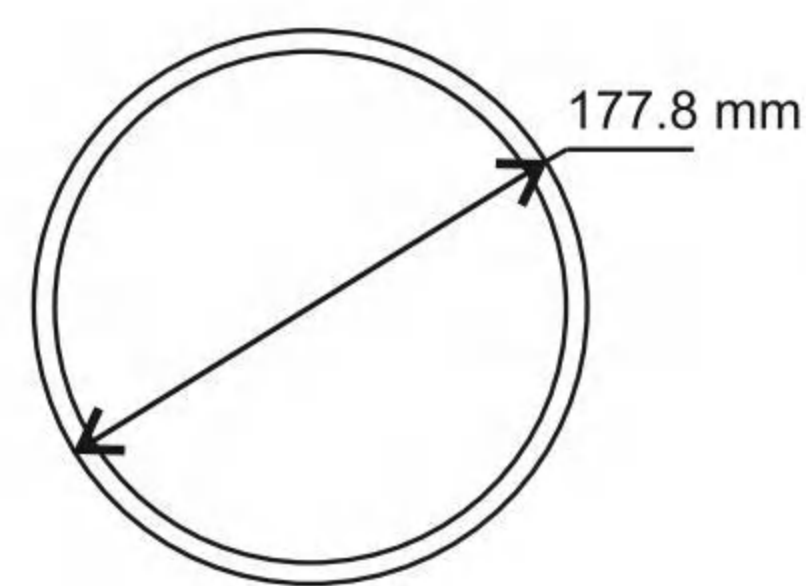
ABS + PC body



Epoxy Resin Sealing

P1001 and P1002 Contrast

RGB & Cool white



P1001-S252RGB ▲

P1001-S252WHT ▶



◀ P1002-S252WHT

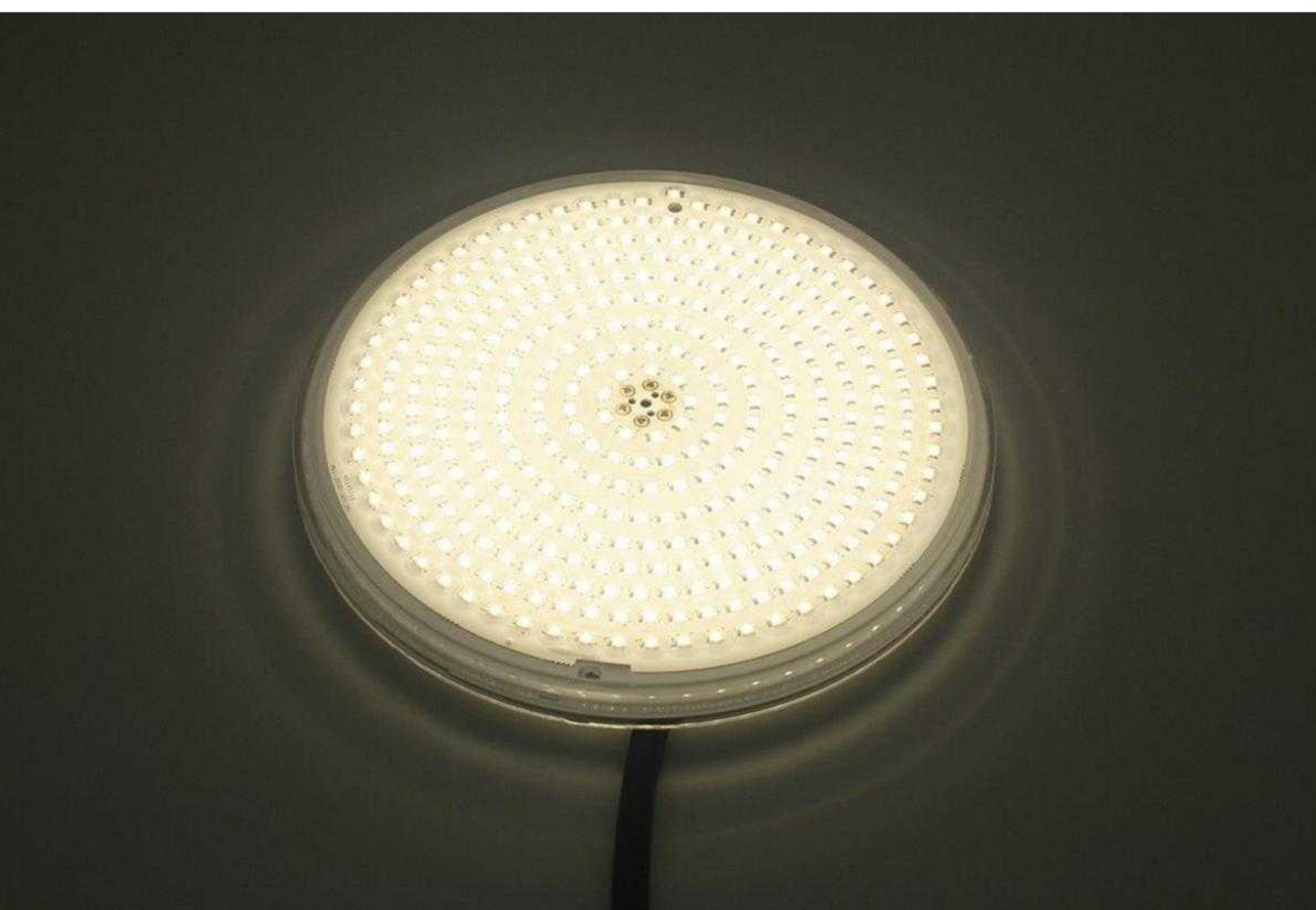
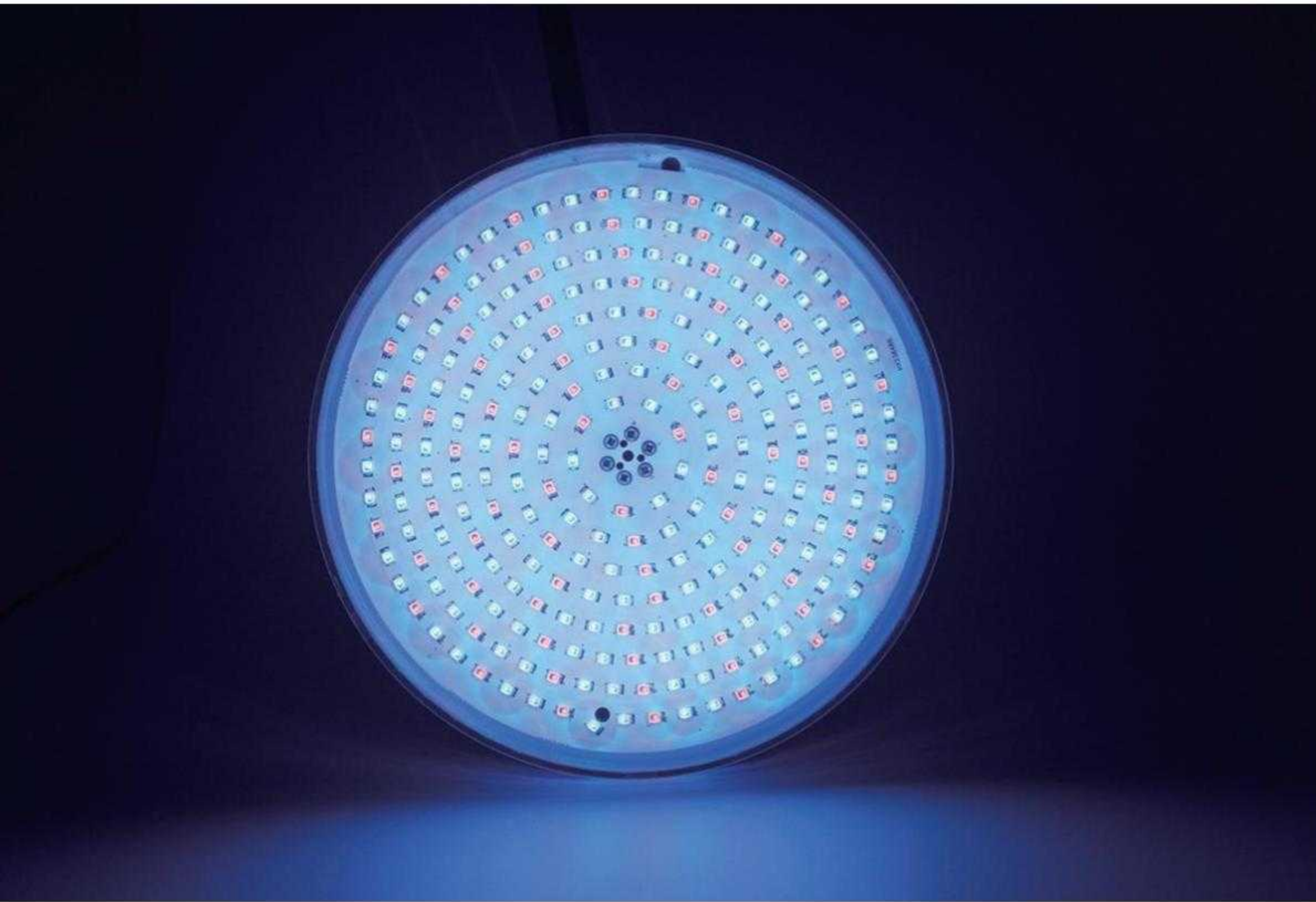
▼ P1002-S252RGB



Product Parameters

CODE	Volt	Power	LED	Qty	Lumens			Remarks
					WW	WHT	RGB	
P1001 Big lens	AC12V	12W	SMD2835	180pcs	1100lm	1200lm	600lm	RGB control way A. On/Off control B. Remote control (R15 & R18)
		18W	SMD2835	252pcs	1700lm	1800lm	900lm	
P1002 Small lens		25W	SMD2835	351pcs	2400lm	2500lm	1200lm	
		35W	SMD5050	150pcs	3100lm	3200lm	1600lm	

Code : Epoxy Resin LED panel



S252WW Panel,
18W, Warm white 3000K

S252WHT Panel,
18W, Cool white 6400K



6400K



3000K

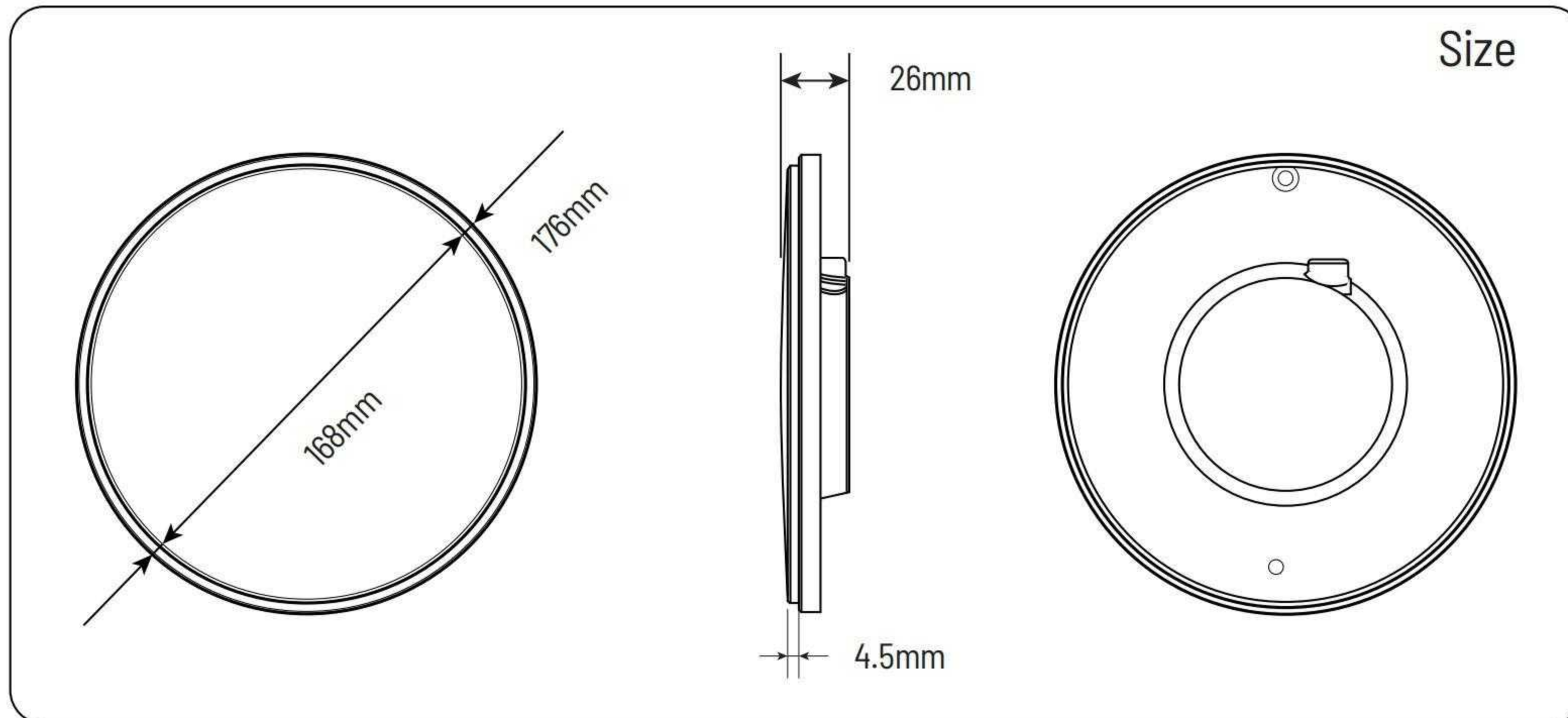


DW
warm white & white



RGBW





Features

- * Material : ABS+PC
- * Structure : Special design for waterproof
- * Craft : Filled with epoxy resin, IP68
- * LED : high quality SMD2835 / SMD5050
- * Cable : 2*1.0mm² , 2*1.5mm²



Product Parameters

CODE	Volt	Power	LED	Qty	Lumens				Remarks
					WHT	DW	RGB	RGBW	
Sxxx Panel	AC12V	18W	SMD2835	252pcs	1800lm	/	900lm	/	RGB control way A. On/Off control B. Remote control (R15 & R18)
		25W	SMD2835	351pcs	2500lm	/	1200lm	/	
		32W	SMD2835	441pcs	3200lm	/	1600lm	/	
		40W	SMD2835	513pcs	4000lm	/	2000lm	/	
	DC12V	18W	SMD5050	90pcs	/	1900lm	900lm	/	DW control way A. On/Off control B. Remote control (R8)
		25W	SMD5050	120pcs	/	2600lm	1200lm	/	
		32W	SMD5050	150pcs	/	3300lm	1600lm	/	
		40W	SMD5050	180pcs	/	/	/	2100lm	

S252RGB Panel – SMD LED, 18W, 252pcs, RGB color

How to replace PAR56 (A)



Remove the lamp holder, put the epoxy LED panel in the frame.

Fix the screws and adjust the bolts to lock the panel.

How to replace PAR56 (B)

Hayward Niche



Remove the lamp holder, put the epoxy LED panel in the frame.

Fix the screws and SS clips, adjust the bolts to lock the panel.

How to replace PAR56 (C)

Astral Niche



Put the epoxy LED panel in the frame, add the 3pcs ABS clips..



Put the lamp holder and Astral clips on the panel.



Tighten the clips with 3pcs copper screws.



This Epoxy LED panel can be installed in all brands niche.

Such as Astral , Hayward